

# AM68 AC Input Flexible Quiet Zigbee Curtain Motor

## Features



- \*Bi-voltage power supply: AC 100-240V, available for global application.
- \*Multiple connection: every motor can connect an external switch to operate.
- \*Stop on block: motor stops automatically to protect whole system when meeting resistance.
- \*Light touch function: after power on, pull the curtain slightly about 15cm, curtain will open/close automatically.
- \*Manually operation: when the power off, free to open or close the curtain as manually.

- \*Flexible quiet design: high-precision DC drive, leading intelligent technology, slow open and close make it more light, smooth and quiet moving.
- \*Various controls: According to different application, with option of wireless remote control, mobile control and wire switch control. It will protect the accessories from collision for a longer life usage.
- \*Remember limits: Motor will remember the first open and close limit without manually setting or adjustment when power off.

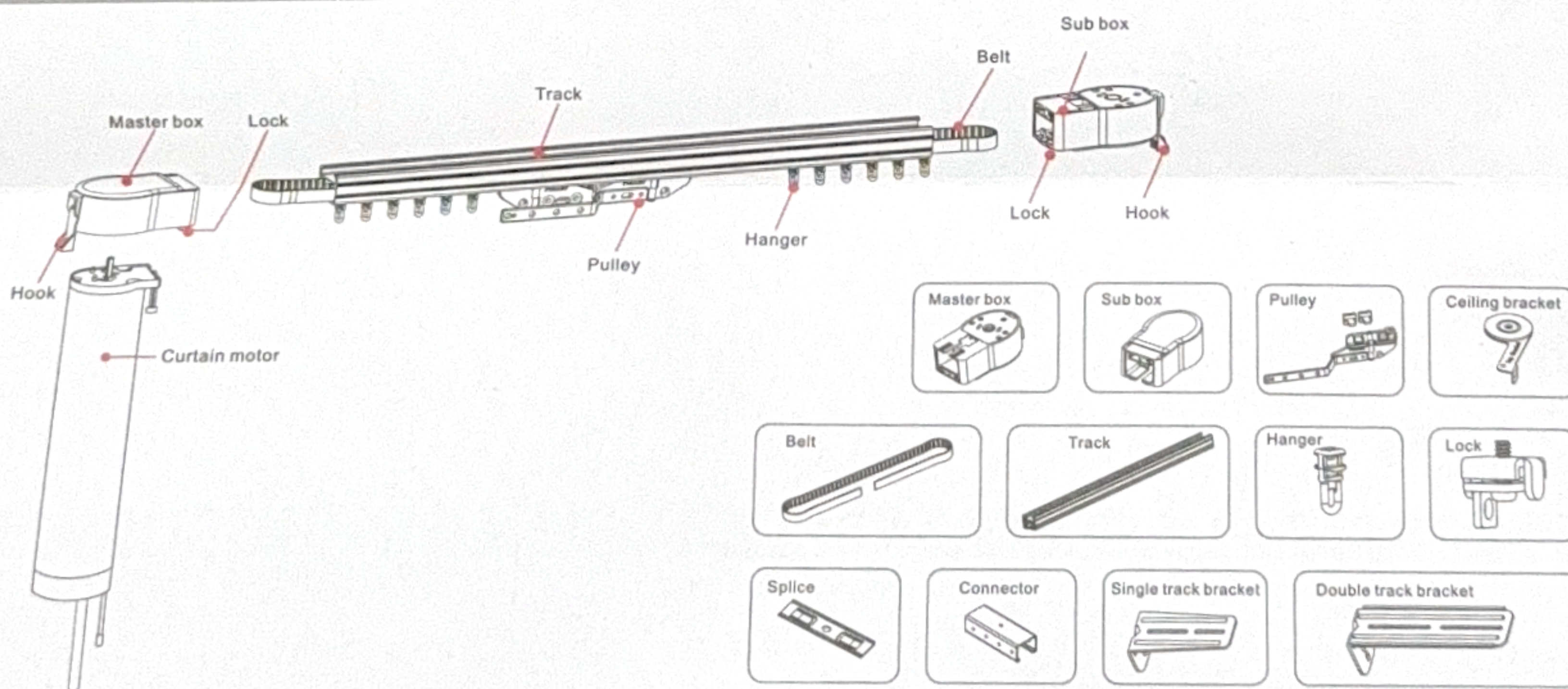
## Parameters

Model NO.	Rated torque	Speed	Motor Size	Rated voltage	Rated power	IP Level
AM68-1.5/100-EM-PZ	1.5N.m	16cm/s	310×68×50mm	AC100-240V 50/60Hz	65W	IP20

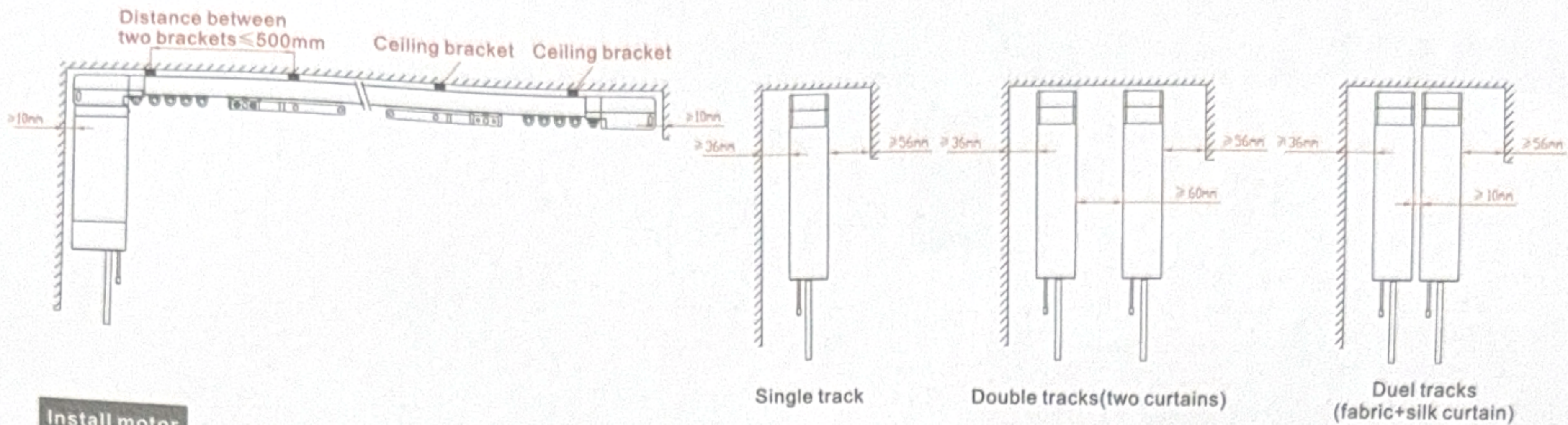
## Loading diagram

Track length	Single motor with double pulley		Single motor with single pulley		Single motor with double pulley		Single motor with single pulley	
	R500	R3000	R500	R3000	R500	R3000	R500	R3000
4m	90kg	75kg	67.5kg	60kg	52.5kg	45kg	46.5kg	31.5kg
8m	82.5kg	67.5kg	60kg	52.5kg	45kg	37.5kg	31.5kg	24kg
12m	75kg	60kg	52.5kg	45kg	37.5kg	30kg		

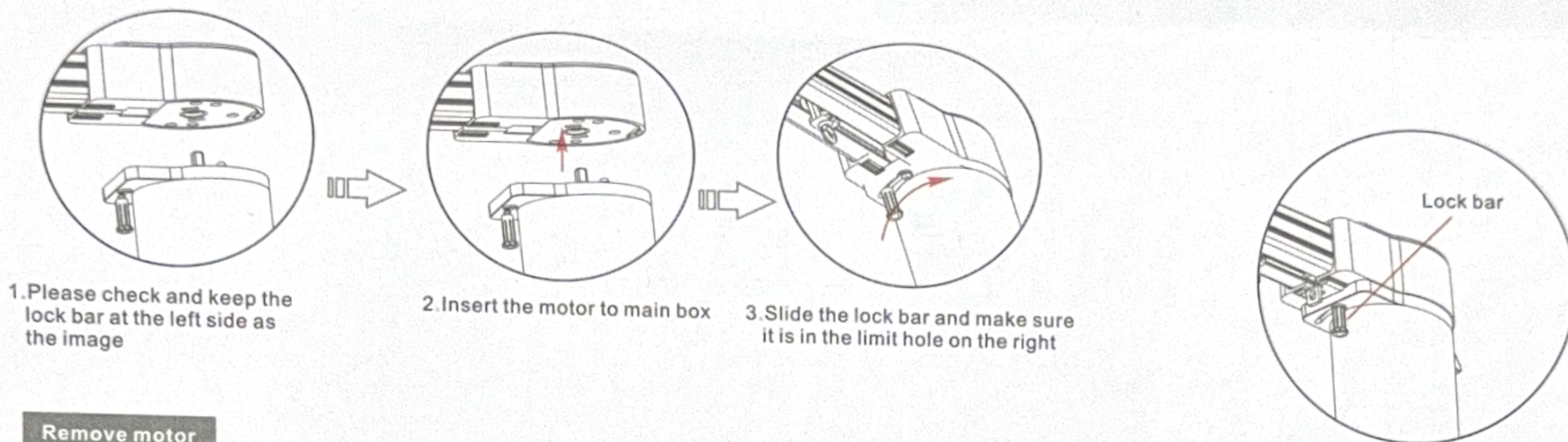
## Structure and accessories



## Installation and wiring



### Install motor



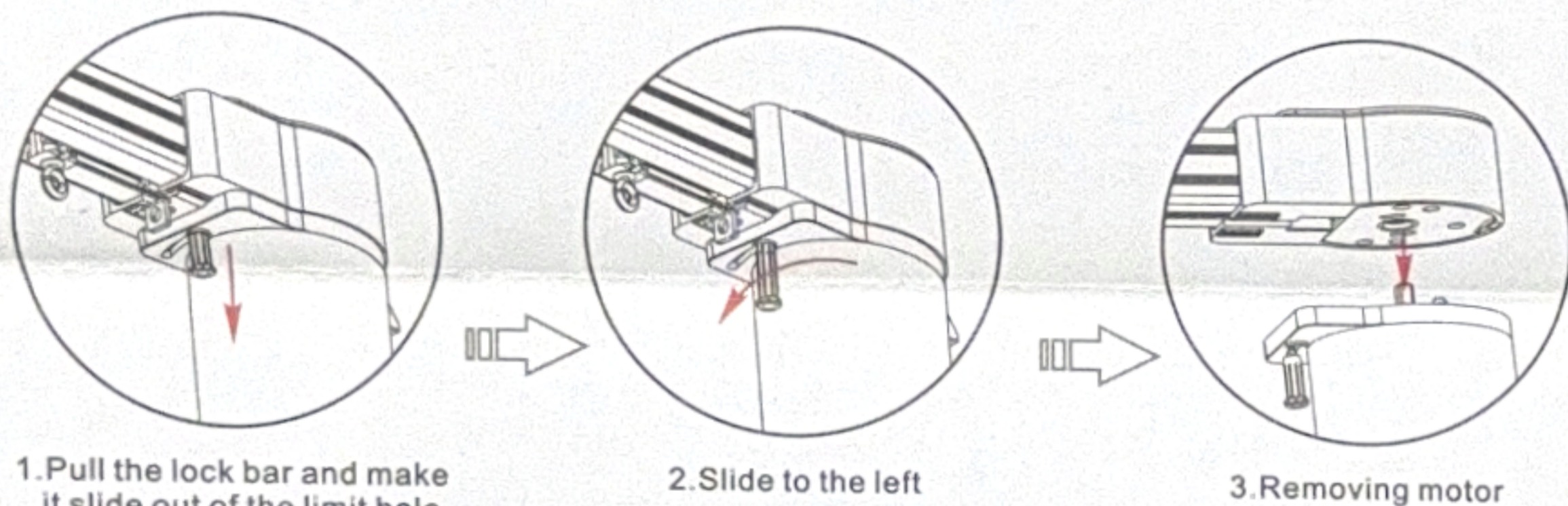
1. Please check and keep the lock bar at the left side as the image

2. Insert the motor to main box

3. Slide the lock bar and make sure it is in the limit hole on the right

Lock bar

### Remove motor



1. Pull the lock bar and make it slide out of the limit hole

2. Slide to the left

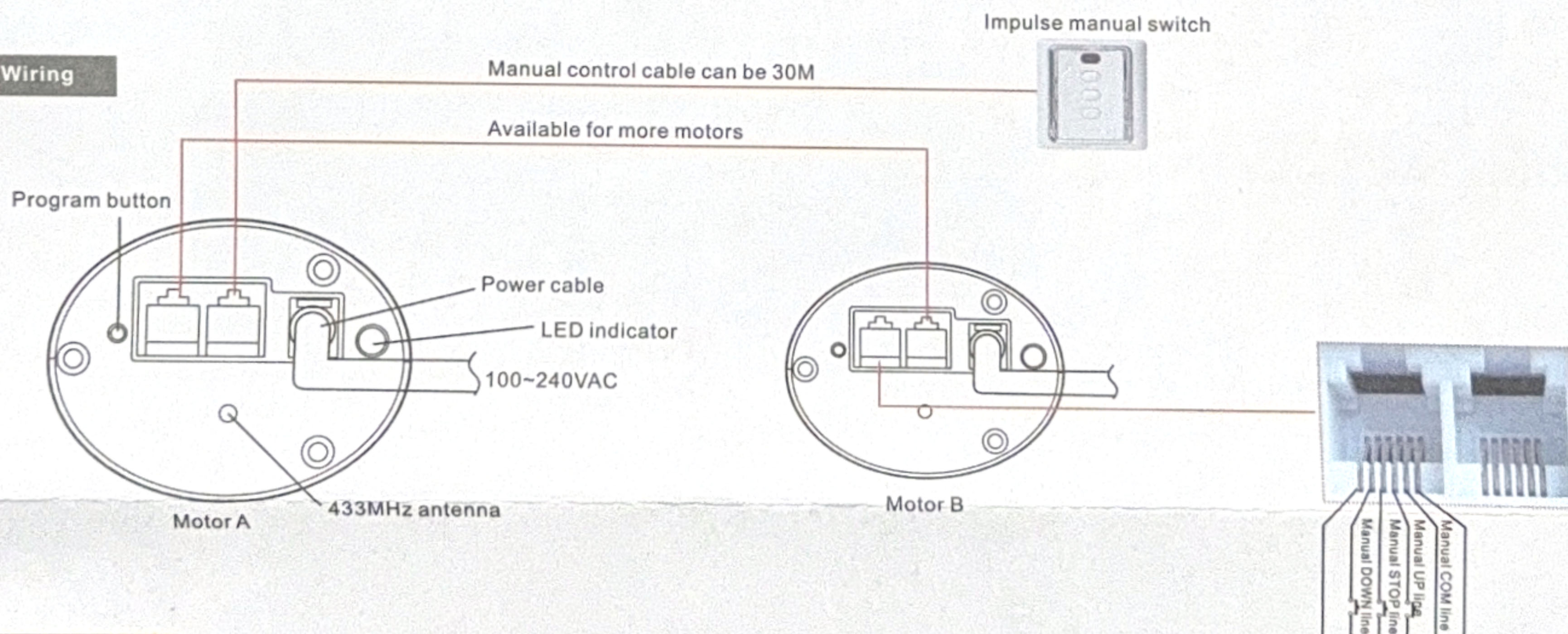
3. Removing motor



### Caution

- Please follow the installation drawing above
- Make sure the lock bar in the correct position as image
- Ceiling must be strong enough to hold the track, motor and curtain

### Wiring



Caution: external manual switch is dry contact mode, function keep the same.

## Functions

### Automatic remember journey

Motor stop at the open and close ends during the first operation, and keep it as the stop journey even the power off and on again.

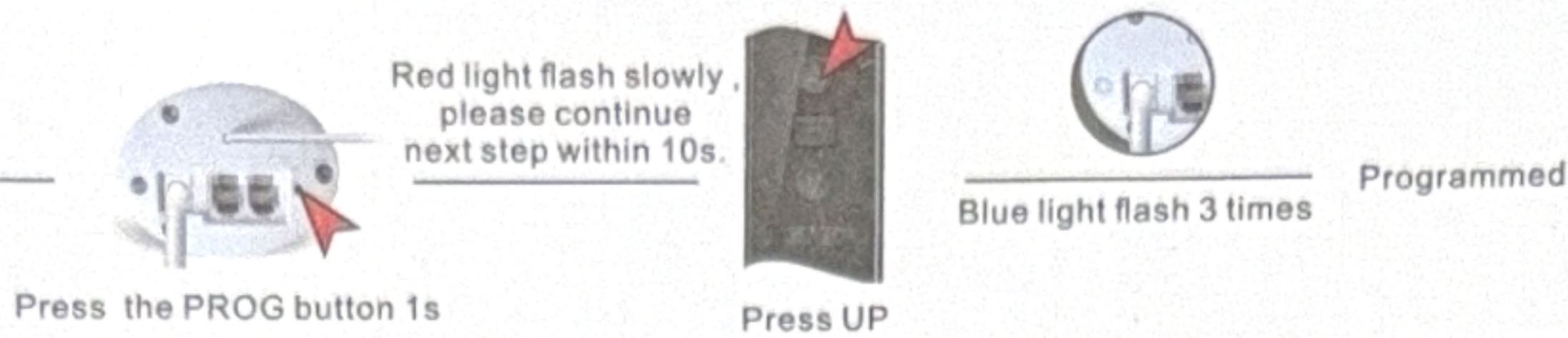
### Over current protection

Able to effectively avoid electric parts burnt or damaged when current over loading which can avoid the fire trouble. If there are twice short circuit caused by over loading in 1min, the red LED indicator light, the motor enter into protection mode, it need power on again.

# Operation instructions

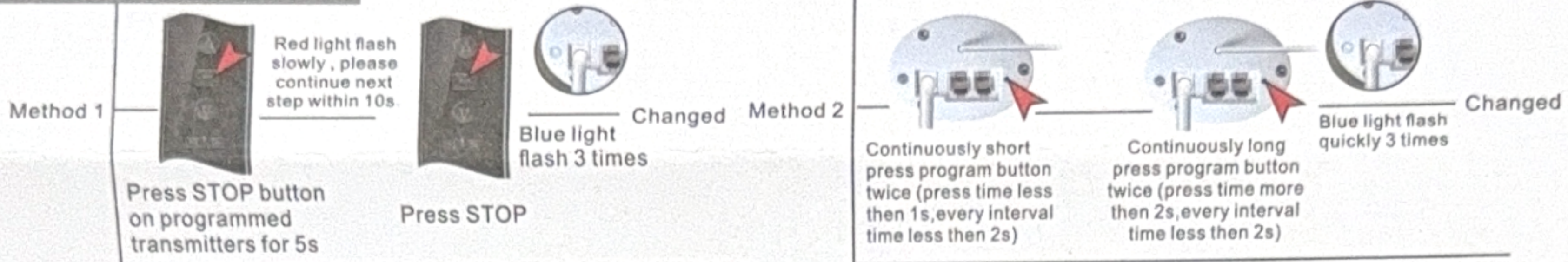
## 1. Programming

\*Please select channel for multi-channel transmitter before operation.  
\*0.5s is needed for up/down converting, max single running time is 4min.

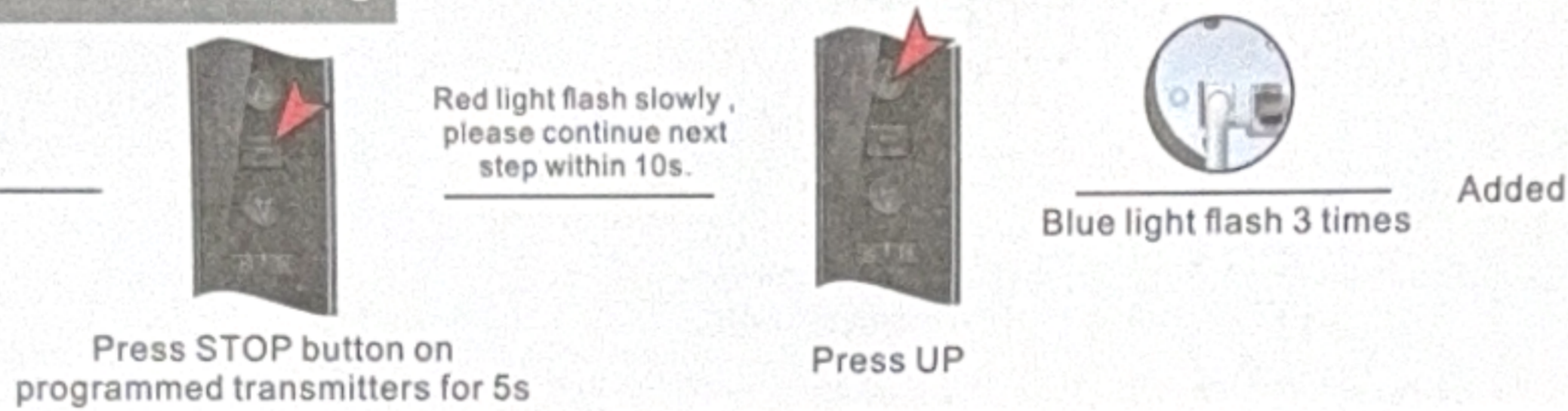


## 2. Change direction

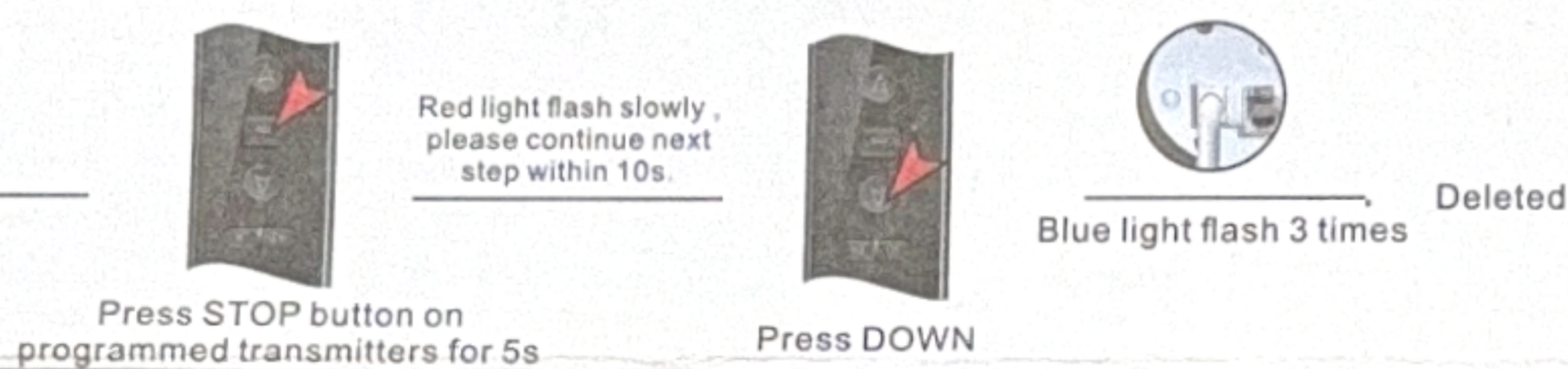
\*In case of the motor operate in wrong direction.



## 3. New transmitter adding

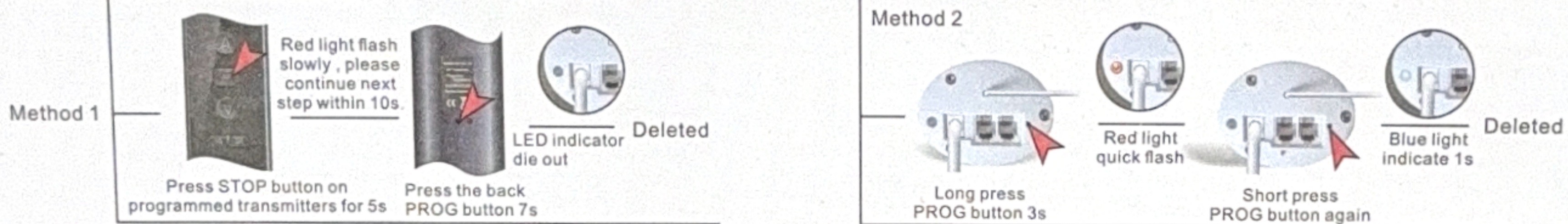


## 4. Delete single memory

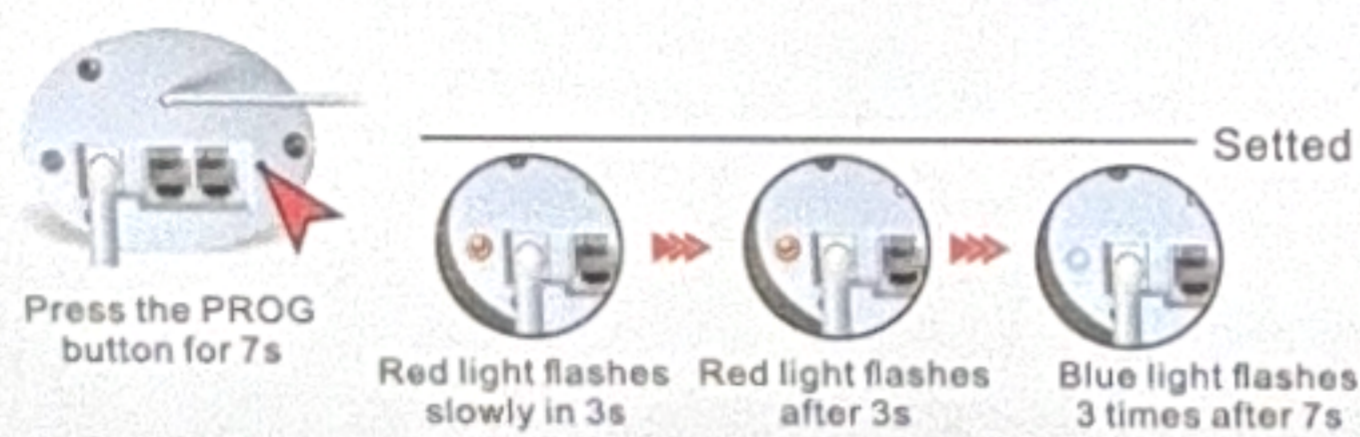


## 5. Delete all memory

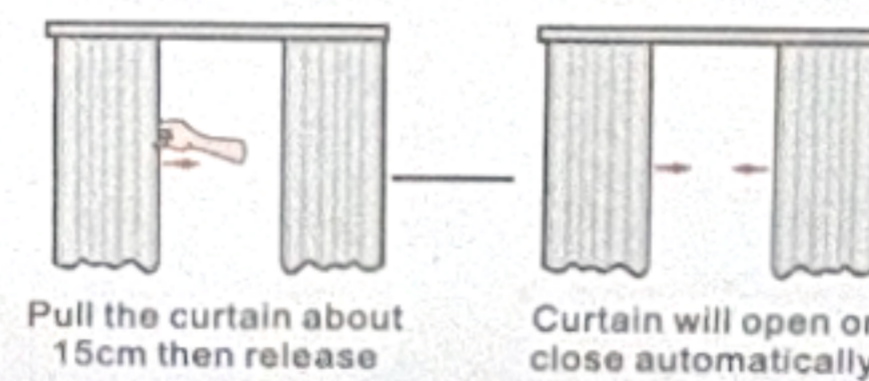
\*Journey will be deleted and the running direction will be the factory defaulted mode, keeping the touch operating function.



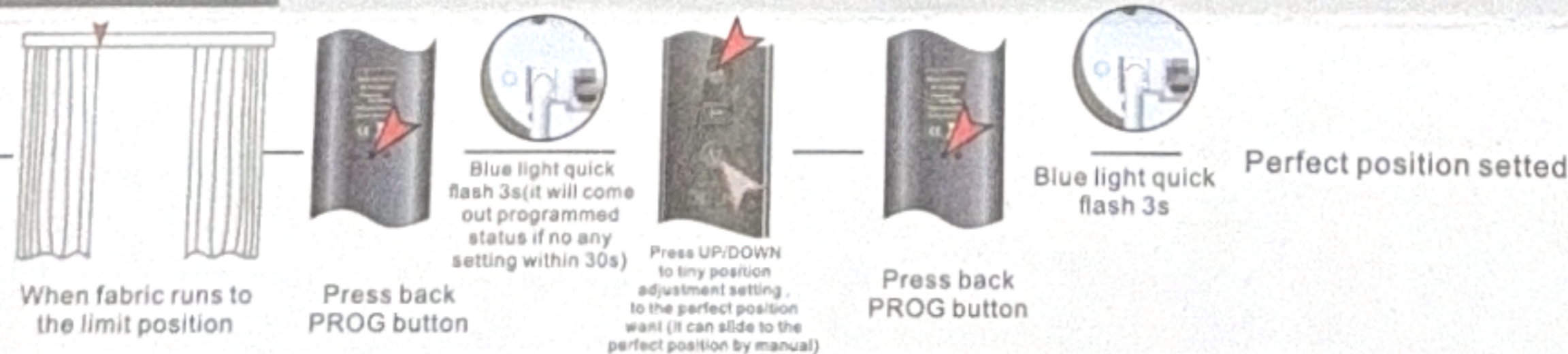
## 6. Manual light touch operating function setting



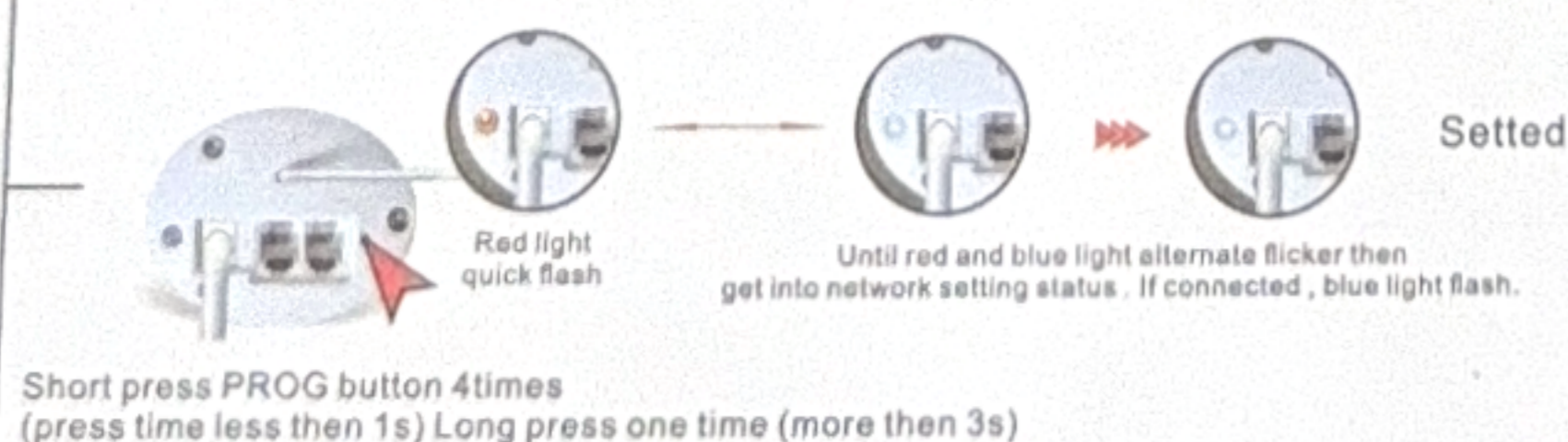
### Manual light touch operating function demonstration



## 7. Limit fine tuning



## 8. Setting Network configuration status

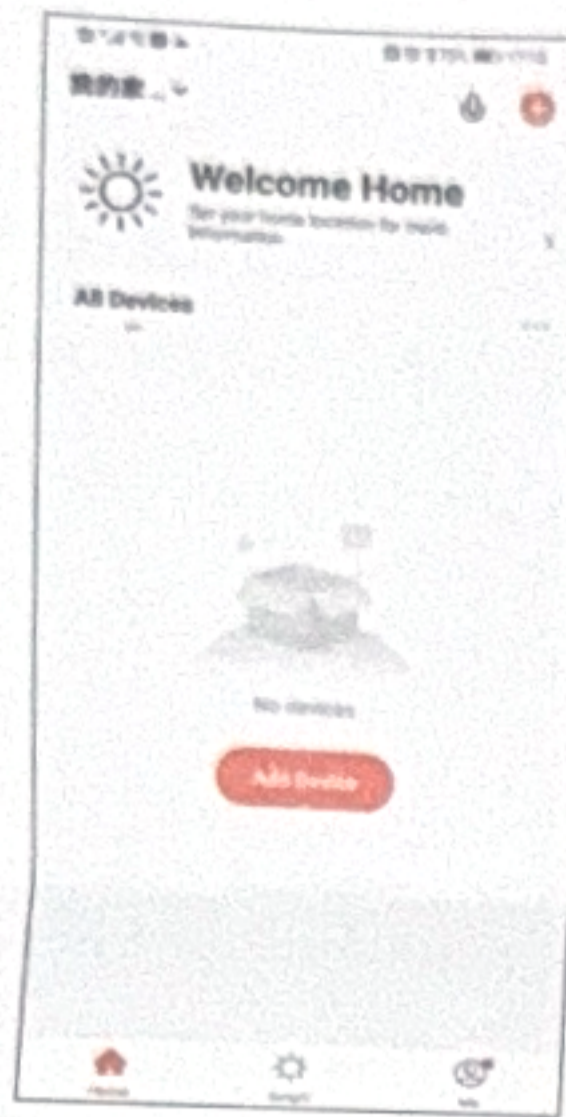


# APP function operation and instructions

1) APP Download, scan the QR code or search "Tuya" in the APP store to download the Tuya APP



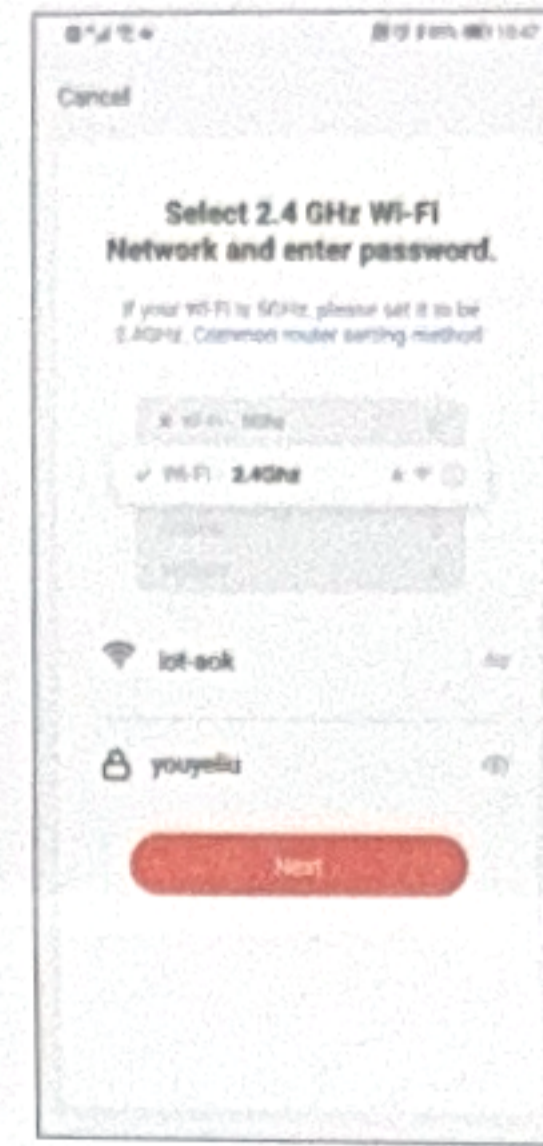
2) Click "Add device" or click the "+" in the upper right corner.



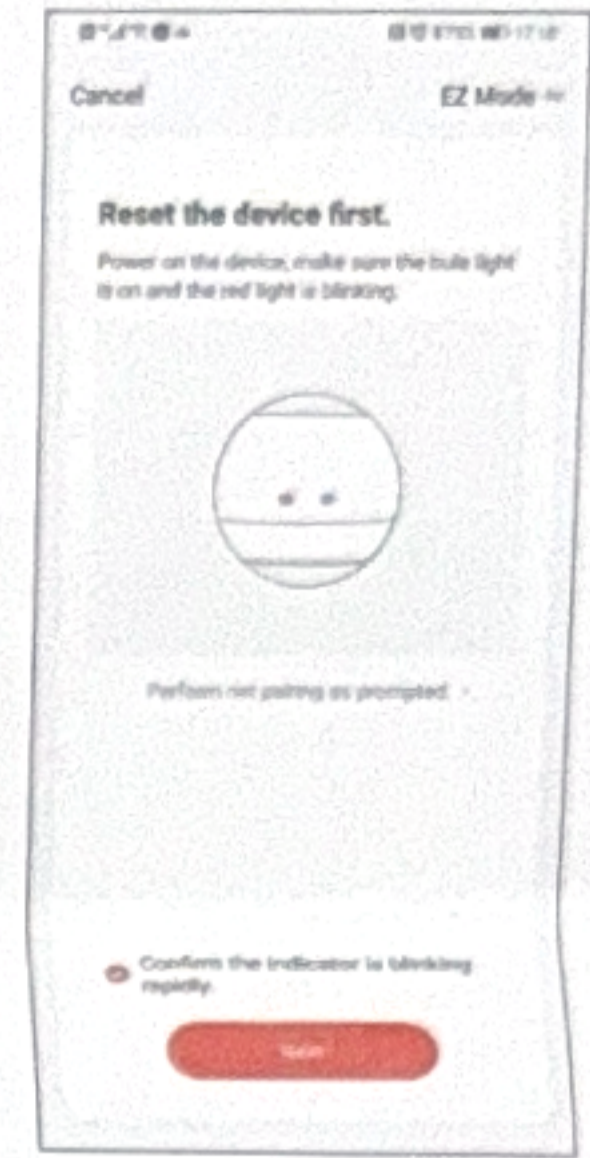
3) Click the "Gateway Control" on the left, click "Gateway (Zigbee)".



4) Confirm selecting 2.4GHz Wi-Fi Network and enter password, click "Next"



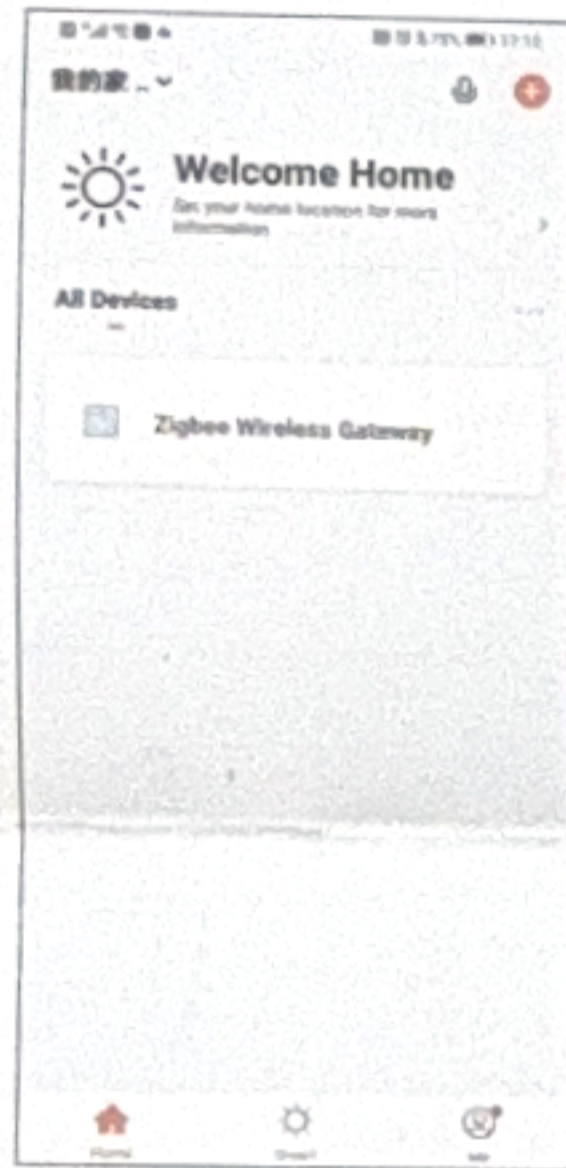
5) The gateway red light flashes quickly, and the blue light is on. Then click "Next".



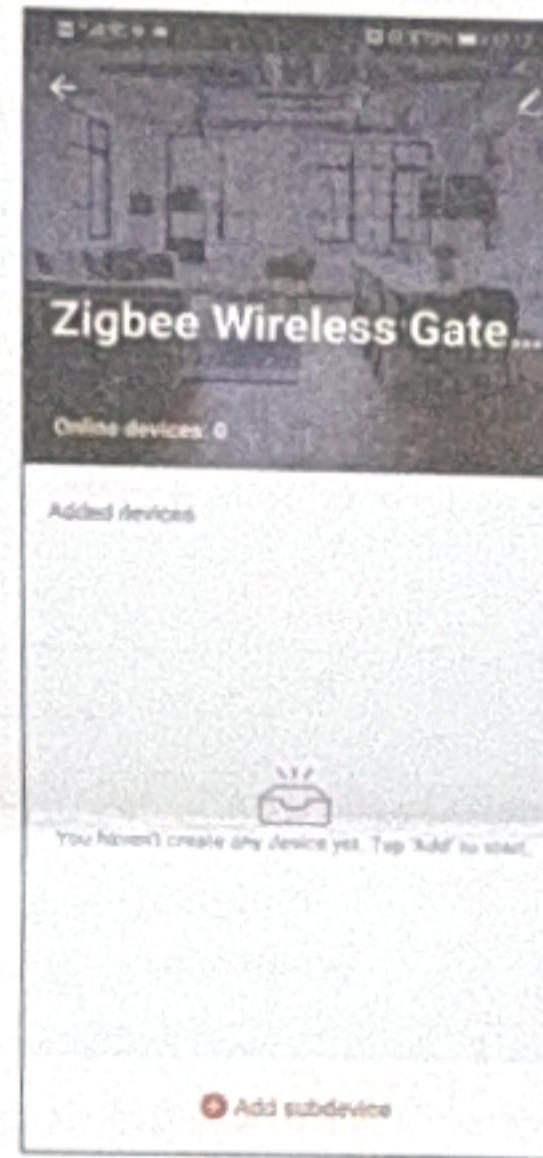
6) After adding the gateway successfully, click Finish.



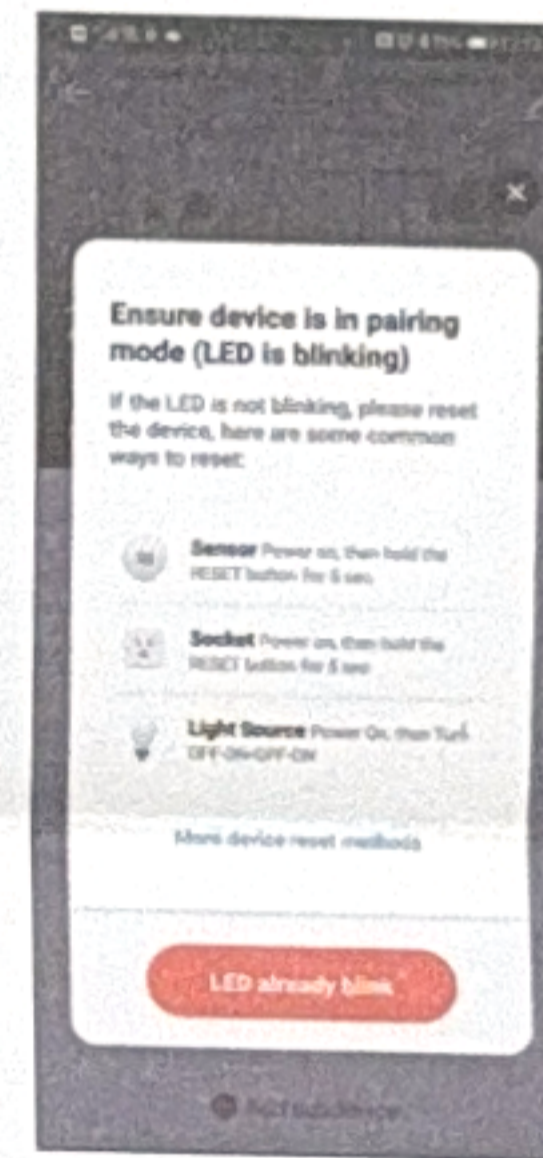
7) In "My Home" interface, click already added "Zigbee Wireless Gateway".



8) Click "Add Device" to add Motor.



9) Short press motor "PROG" button 4 times and then long press 3 seconds at the fifth time to enter into pairing mode. (When press the motor "PROG" button the fifth times, motor will jog once at the first second, then jog once at the third seconds), click "LED already blink"



10) Click "Done", added the motor successfully.

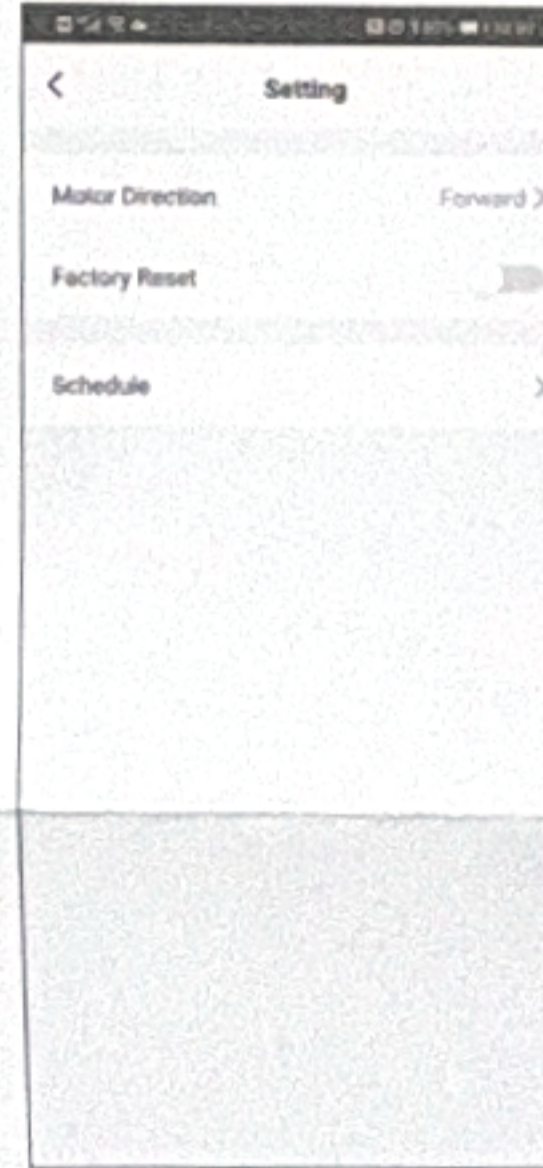


12) Click "Up", "Stop", "Down" button to control the motor. you can move the slider on the curtain picture to control the percentage. Click "More" to enter the setting interface.

11) In "My Home" interface, click the motor to be operated.



13) Setting interface as below.



## Trouble shooting

Problem	Matter	Shooting
Motor does not run	Track installation correct or not	Check and adjust the gap between the gear and belt.
Remote control with bad sensitivity	Remote control no battery	Change the battery
Remote control led light indicates, motor does not run	No programmed	Reprogram